

**TJ3**  
**TJ6**  
**TJ10**  
**TJT12**

Capacity 0,3 / 0,6 / 1,0 / 1,2 t



### Hydraulic transmission jack

- Pedal operated pump leaving both hands free for working
- Precise adjustment for positioning of transmission
- Hand operated dead man's release for optimum safety whilst lowering
- Galvanised support saddle and base frame
- Built-in safety overload valve
- Sturdy swivel castors for optimum stability and manoeuvrability
- Hard chromium plated piston rod and pump piston for long life
- Also suitable for many other lifting operations such as mounting of springs, fuel tanks, exhaust pipes etc.

## Options



### Gearbox saddle

Capacity: 0,3t

Dimension: 360x370 mm



### Heavy duty gearbox saddle

Capacity: 1,0 t

Dimension: 530x380 mm



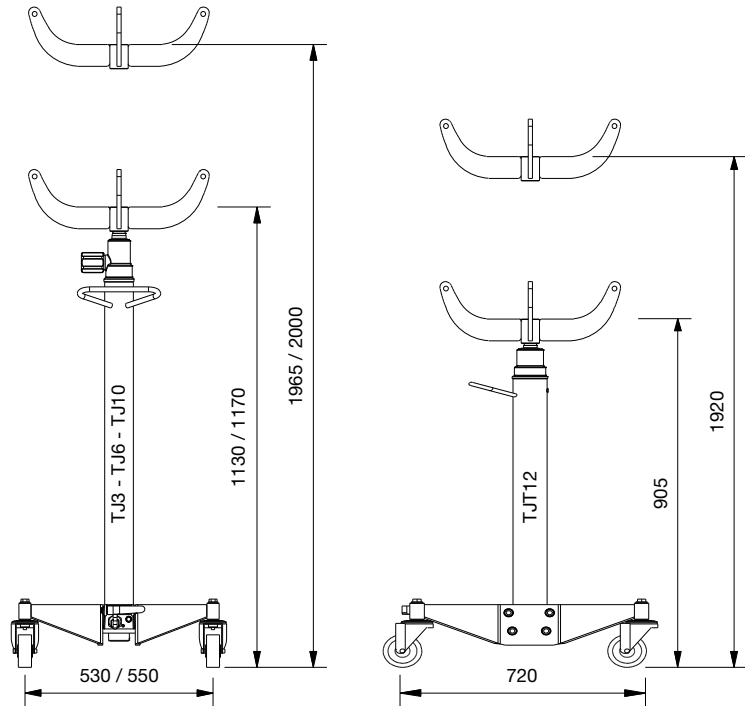
### Saddle

Suitable for mounting springs, fuel tanks, exhaust pipes etc.



### Rubber cushion

To be used with the saddle for protection of car body



	TJ3	TJ6	TJ10	TJT12
Capacity	0,3 t	0,6 t	1,0 t	1,2 t
Min. height	1130 mm	1130 mm	1170 mm	905 mm
Max. height	1965 mm	1965 mm	2000 mm	1920 mm
Width	530 mm	530 mm	550 mm	720 mm
Weight	33 kg	33 kg	40 kg	70 kg
Wheel diameter	80 mm	80 mm	125 mm	125 mm

**stertil** **KONI**

 a member of the Stertil Group

Stertil B.V.  
P.O. Box 23  
9288 ZG Kootstertille  
The Netherlands  
Tel. +31(0)512 334444  
info@stertil.nl

www.stertilkoni.com

 Stertil-Koni

 Stertil